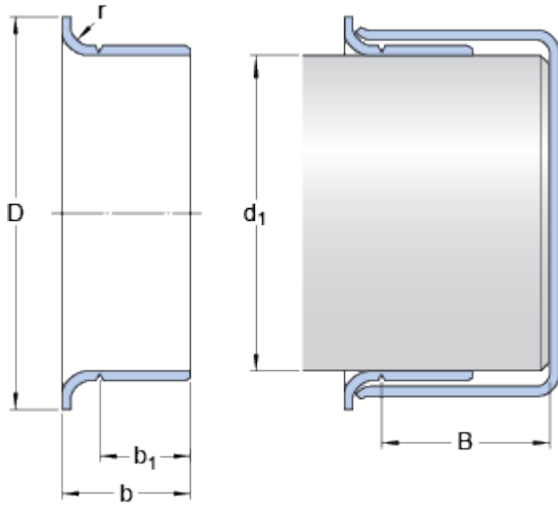


99369

Dimensions



Shaft diameter range

d_1	min.	94.92	mm
d_1	max.	95.098	mm

Nominal dimensions

d_1		95	mm
Tolerance width b	\pm	0.8	mm
b_1		21.006	mm
Tolerance width b_1	\pm	0.8	mm
B	max.	45.72	mm
r	max.	3.18	mm
D		102.235	mm
Tolerance outside diameter D	\pm	1.6	mm
b		24.003	mm
Tolerance width b	\pm	0.8	mm